

FEDERAL SUPPLY CLASS
5306

RATIONALE

FIGURE 1 RE-DRAWN, EDGE DISTANCE EXCEPTION ADDED TO HEAD MARKING REQUIREMENT, TERTIARY DATUM ADDED TO POSITION REQUIREMENT FOR DRILLED HOLE, LEAD THREAD CHAMFER REVISED TO CURRENT AS1132, FPI NOTE UPDATED, NEW NOTE ADDED FOR DISPOSITION OF EXISTING INVENTORY, FOR P/N AS3119-47, CORRECT TYPOGRAPHICAL ERROR IN APPROX MASS, GENERAL EDITORIAL AND FORMATTING UPDATES.

REV.
B

AS3119™

SAE Technical Standards Board Rules provide that: "This report is published by SAE to advance the state of technical and engineering sciences. The use of this report is entirely voluntary, and its applicability and suitability for any particular use, including any patent infringement arising therefrom, is the sole responsibility of the user." SAE reviews each technical report at least every five years at which time it may be revised, reaffirmed, stabilized, or cancelled. SAE invites your written comments and suggestions.

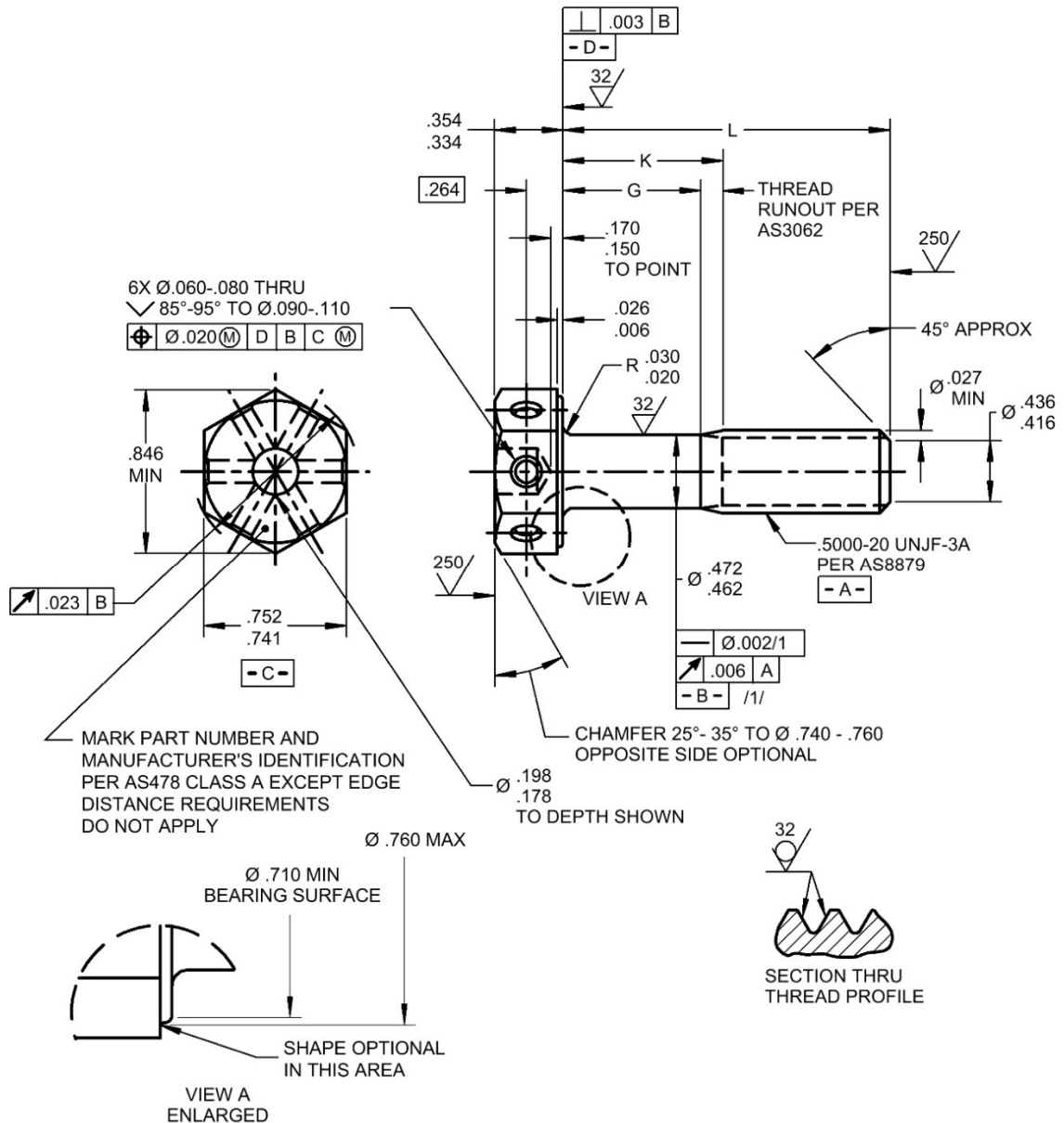
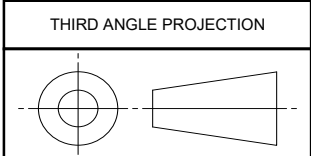


FIGURE 1 - BOLT

SAE values your input. To provide feedback on this Technical Report, please visit <http://standards.sae.org/AS3119B>



CUSTODIAN: E-25

PROCUREMENT SPECIFICATION: AS7477



AEROSPACE STANDARD

BOLT, MACHINE - HEXAGON HEAD,
DRILLED 6 HOLES, PD SHANK,
GRES (UNS S66286), .5000-20 UNJF-3A

AS3119™
SHEET 1 OF 3

REV.
B

ISSUED 1979-07 REAFFIRMED 2004-02 REVISED 2019-09